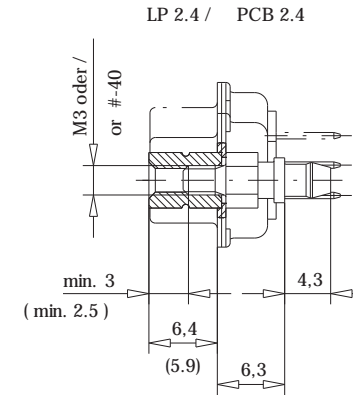
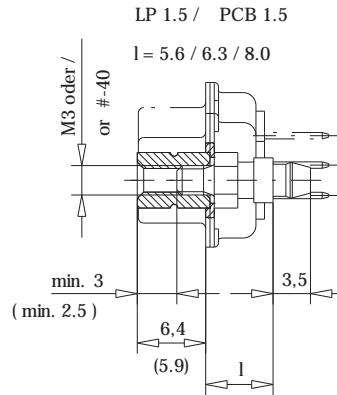
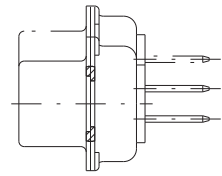
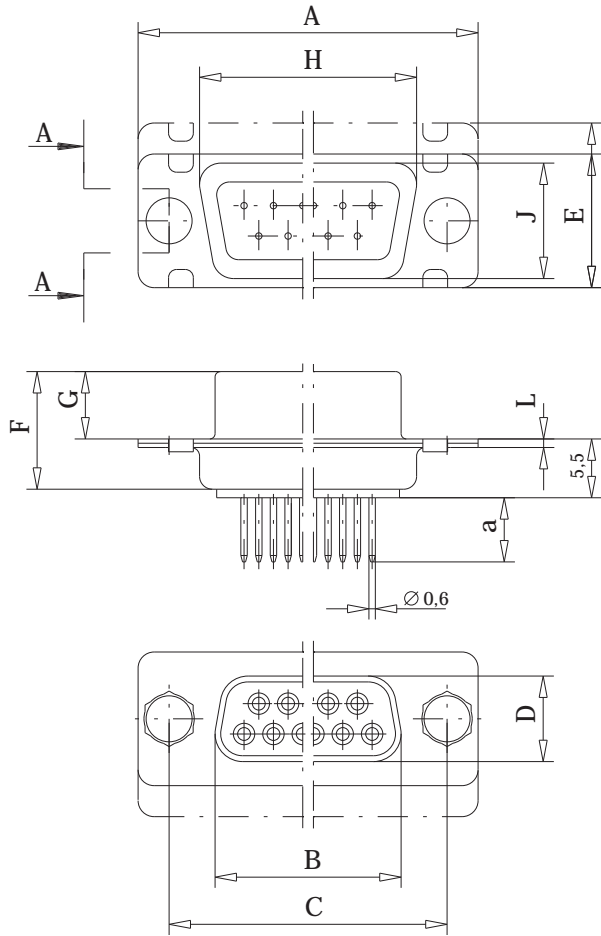


Schnitt A-A / cross section A-A



Zubehör / Accessories :

Gewindebolzen / threaded bolt
Gewindehülse / threaded sleeve

Schichtaufbau im metallisierten Loch für Gewindebolzen siehe Zeichnung 114303
metal plating of plated-through hole for threaded bolt see drawing 114303

a : Anschlusslänge beliebig von 3 bis 6 mm; Toleranz ±0.3

a : terminal length from 3 to 6 mm; tolerance ±0.3

9	30.8	16.4	25.0	8.0	12.5	11.0	6.3	19.3	10.8		0.8		
15	39.1	24.7	33.3	8.0	12.5	11.0	6.3	27.5	10.8		0.8		
25	53.0	38.5	47.0	8.0	12.5	11.0	6.3	41.3	10.8		0.8		
37	69.3	54.9	63.5	8.0	12.5	11.0	6.3	57.7	10.8		0.8		
50	67.0	52.5	61.1	10.8	15.4	11.0	6.3	55.3	13.6		0.8		
Polzahl/ No. of contacts	A ±0.3	B -0.2	C ±0.2	D -0.2	E ±0.3	F ±0.2	G -0.3	H ±0.3	J ±0.2		L ±0.1		

Fehlende Masse und Angaben siehe DIN 41652 / Missing information and dimensions according to DIN 41652

Sonstige Angaben siehe Fertigungsunterlagen / Additional indications please see the production documentation

Information:	Tolerances All Dimensions in mm	Scale 2:1
All rights reserved. Only for information. To insure that this is the latest version of this drawing, please contact one of the ERNI companies before using.	Subject to modification without prior notice. Drawing will not be updated.	Designation TMC-S 9 bis 50-TL-3.0 bis 6.0 TMC-S 9 to 50-TL-3.0 to 6.0
Elektroapparate GmbH D-73099 ADELBERG	054919	I
b Index	23.04.2001 Date	M:00020985.SZN TMCS

Ident-Nr. / Part No. : Refer to table on page 2

Polzahl / No. of contacts : Refer to table on page 2

Anschlußart / Terminal Type : Straight soldering

Anschlußlänge / Terminal Length : 6.0 mm

Bauart / Type : 7

Anforderungsstufe / Class : 207=0.8µm (30 µin) Au CONTACT, TIN/LEAD TERMINAL

Aufdruck / Logo : ERNI

Zubehör / Accessory : Refer to table on page 2

Sonderausführung / Special : Refer to table on page 2

Consider protection memo from DIN 54



Ordering Information

D-Sub Connector Solder Vertical Female Assembly Height 6.3 mm

Number of Pins

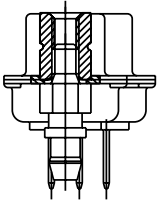
9

15

25

37

50



Accessory Mating Side: Threaded sleeve M3

Accessory Termination Side: Retaining Clip

053051

053052

043091

063556

053055

Accessory Mating Side: Threaded sleeve #4-40

Accessory Termination Side: Retaining Clip

024735

024736

024737

024738

043799



Connectors | TMC | Solder Vertical Female Assembly Height 6.3 mm

or 6-Digit Part Number:

Available Pin-Configurations: [9](#) | [15](#) | [25](#) | [37](#) | [50](#) |

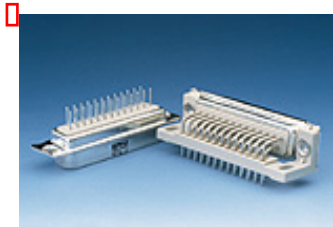


Image does not represent actual Part Number.

ERNI produces a solder D-Sub connector with vertical or right angle termination. The connectors are available in 9, 15, 25, 37 and 50 pin configurations, and are designed according to DIN 41652 and IEC 807- 3 specifications. Available with a metal shell and pre-installed metal hardware, ERNI's solder D-Sub connector offers excellent low resistance grounding.

<p>PART NUMBER 003634</p> <p>Drawings: JPG (view) N.A. DXF N.A. PDF (69 KB)</p> <p>Catalog: PDF N.A.</p> <p>Request: Information</p>	<p>Accessory Terminal Side: Rivet nut M3</p>	<p>003634</p> <p>Gender: Female</p> <p>Pins: 9</p> <p>Termination: Solder</p> <p>Terminal Length: 6 mm</p> <p>Assembly Height: 6.3 mm</p> <p>Class: 2</p>
<p>PART NUMBER 053051</p> <p>Drawings: JPG (view) N.A. DXF N.A. PDF (40 KB)</p> <p>Catalog: PDF N.A.</p> <p>Request: Information</p>	<p>Accessory Terminal Side: Retaining Clip Accessory Mating Side: Threaded sleeve M3</p>	<p>053051</p> <p>Gender: Female</p> <p>Pins: 9</p> <p>Termination: Solder</p> <p>Terminal Length: 6 mm</p> <p>Assembly Height: 6.3 mm</p>

Class: 2

PART NUMBER 003633

Accessory Terminal Side: Rivet nut #4-40

003633

Drawings: JPG
(view) N.A.
DXF N.A. **PDF** (69 KB)

Gender:
Female

Pins: 9

Catalog: PDF N.A.

Termination:
Solder

Request: Information

Terminal Length:
6 mm

Assembly Height:
6.3 mm

Class: 2

PART NUMBER 024735

Accessory Terminal Side: Retaining Clip
Accessory Mating Side: Threaded sleeve #4-40

024735

Drawings: JPG
(view) N.A.
DXF N.A. **PDF** (40 KB)

Gender:
Female

Pins: 9

Catalog: PDF N.A.

Termination:
Solder

Request: Information

Terminal Length:
6 mm

Assembly Height:
6.3 mm

Class: 2

PART NUMBER 003635

Accessory Terminal Side: Threaded bolt M3
Accessory Mating Side: Sleeve

003635

Drawings: JPG
(view) N.A.
DXF N.A. **PDF** (69 KB)

Gender:
Female

Pins: 9

Catalog: PDF N.A.

Termination:
Solder

Request: Information

Terminal Length:
6 mm

Assembly Height:
6.3 mm

Class: 2

PART NUMBER 003636**Accessory Terminal Side:** Threaded bolt #4-40
Accessory Mating Side: Sleeve**003636****Drawings:** JPG
(view) N.A.
DXF N.A. **PDF** (69 KB)**Gender:**
Female**Catalog:** PDF N.A.**Pins:** 9**Request:** Information**Termination:**
Solder
Terminal Length:
6 mm**Assembly Height:**
6.3 mm**Class:** 2**PART NUMBER 013032****Accessory Terminal Side:** Threaded bolt M3 / #4-40
Accessory Mating Side: Sleeve**013032****Drawings:** JPG
(view) N.A.
DXF N.A. **PDF** (69 KB)**Gender:**
Female**Catalog:** PDF N.A.**Pins:** 9**Request:** Information**Termination:**
Solder
Terminal Length:
6 mm**Assembly Height:**
6.3 mm**Class:** 2**PART NUMBER 013052****Accessory Terminal Side:** Rivet nut M3**013052****Drawings:** JPG
(view) N.A.
DXF N.A. **PDF** (69 KB)**Gender:**
Female**Catalog:** PDF N.A.**Pins:** 15**Request:** Information**Termination:**
Solder
Terminal Length:
6 mm**Assembly Height:**
6.3 mm**Class:** 2

PART NUMBER 053052**Accessory Terminal Side:** Retaining Clip
Accessory Mating Side: Threaded sleeve M3**053052****Drawings:** JPG
(view) N.A.
DXF N.A. **PDF** (40 KB)**Gender:**
Female**Catalog:** PDF N.A.**Pins:** 15**Request: Information****Termination:**
Solder
Terminal Length:
6 mm**Assembly Height:**
6.3 mm**Class:** 2**PART NUMBER 013551****Accessory Terminal Side:** Rivet nut #4-40**013551****Drawings:** JPG
(view) N.A.
DXF N.A. **PDF** (69 KB)**Gender:**
Female**Catalog:** PDF N.A.**Pins:** 15**Request: Information****Termination:**
Solder
Terminal Length:
6 mm**Assembly Height:**
6.3 mm**Class:** 2**PART NUMBER 024736****Accessory Terminal Side:** Retaining Clip
Accessory Mating Side: Threaded sleeve #4-40**024736****Drawings:** JPG
(view) N.A.
DXF N.A. **PDF** (40 KB)**Gender:**
Female**Catalog:** PDF N.A.**Pins:** 15**Request: Information****Termination:**
Solder
Terminal Length:
6 mm**Assembly Height:**
6.3 mm**Class:** 2

PART NUMBER 013550**Accessory Terminal Side:** Threaded bolt M3
Accessory Mating Side: Sleeve**013550****Drawings:** JPG
(view) N.A.
DXF N.A. **PDF** (69 KB)**Gender:**
Female**Catalog:** PDF N.A.**Pins:** 15**Request:** Information**Termination:**
Solder
Terminal Length:
6 mm**Assembly Height:**
6.3 mm**Class:** 2**PART NUMBER 013549****Accessory Terminal Side:** Threaded bolt #4-40
Accessory Mating Side: Sleeve**013549****Drawings:** JPG
(view) N.A.
DXF N.A. **PDF** (69 KB)**Gender:**
Female**Catalog:** PDF N.A.**Pins:** 15**Request:** Information**Termination:**
Solder
Terminal Length:
6 mm**Assembly Height:**
6.3 mm**Class:** 2**PART NUMBER 013033****Accessory Terminal Side:** Threaded bolt M3 / #4-40
Accessory Mating Side: Sleeve**013033****Drawings:** JPG
(view) N.A.
DXF N.A. **PDF** (69 KB)**Gender:**
Female**Catalog:** PDF N.A.**Pins:** 15**Request:** Information**Termination:**
Solder
Terminal Length:
6 mm**Assembly Height:**
6.3 mm**Class:** 2

PART NUMBER 003625**Accessory Terminal Side:** Rivet nut M3**003625****Drawings:** JPG
(view) N.A.
DXF N.A. PDF (69 KB)**Catalog:** PDF N.A.**Request: Information****Gender:**
Female**Pins:** 25**Termination:**

Solder

Terminal Length:

6 mm

Assembly Height:

6.3 mm

Class: 2**PART NUMBER 043091****Accessory Terminal Side:** Retaining Clip
Accessory Mating Side: Threaded sleeve M3**043091****Drawings:** JPG
(view) N.A.
DXF N.A. PDF (40 KB)**Catalog:** PDF N.A.**Request: Information****Gender:**
Female**Pins:** 25**Termination:**

Solder

Terminal Length:

6 mm

Assembly Height:

6.3 mm

Class: 2**PART NUMBER 003626****Accessory Terminal Side:** Rivet nut #4-40**003626****Drawings:** JPG
(view) N.A.
DXF N.A. PDF (69 KB)**Catalog:** PDF N.A.**Request: Information****Gender:**
Female**Pins:** 25**Termination:**

Solder

Terminal Length:

6 mm

Assembly Height:

6.3 mm

Class: 2

PART NUMBER 024737**Accessory Terminal Side:** Retaining Clip
Accessory Mating Side: Threaded sleeve #4-40**024737****Drawings:** JPG
(view) N.A.
DXF N.A. **PDF** (40 KB)**Gender:**
Female**Catalog:** PDF N.A.**Pins:** 25**Request:** Information**Termination:**
Solder
Terminal Length:
6 mm**Assembly Height:**
6.3 mm**Class:** 2**PART NUMBER 003628****Accessory Terminal Side:** Threaded bolt M3
Accessory Mating Side: Sleeve**003628****Drawings:** JPG
(view) N.A.
DXF N.A. **PDF** (69 KB)**Gender:**
Female**Catalog:** PDF N.A.**Pins:** 25**Request:** Information**Termination:**
Solder
Terminal Length:
6 mm**Assembly Height:**
6.3 mm**Class:** 2**PART NUMBER 003627****Accessory Terminal Side:** Threaded bolt #4-40
Accessory Mating Side: Sleeve**003627****Drawings:** JPG
(view) N.A.
DXF N.A. **PDF** (69 KB)**Gender:**
Female**Catalog:** PDF N.A.**Pins:** 25**Request:** Information**Termination:**
Solder
Terminal Length:
6 mm**Assembly Height:**
6.3 mm**Class:** 2

PART NUMBER 013029**Accessory Terminal Side:** Threaded bolt M3 / #4-40
Accessory Mating Side: Sleeve**013029****Drawings:** JPG
(view) N.A.
DXF N.A. **PDF** (69 KB)**Gender:**
Female**Pins:** 25**Catalog:** PDF N.A.**Termination:**

Solder

Terminal Length:

6 mm

Assembly Height:

6.3 mm

Request: Information**Class:** 2**PART NUMBER 013702****Accessory Terminal Side:** Rivet nut M3**013702****Drawings:** JPG
(view) N.A.
DXF N.A. **PDF** (69 KB)**Gender:**
Female**Pins:** 37**Catalog:** PDF N.A.**Termination:**

Solder

Terminal Length:

6 mm

Assembly Height:

6.3 mm

Request: Information**Class:** 2**PART NUMBER 063556****Accessory Terminal Side:** Retaining Clip
Accessory Mating Side: Threaded sleeve M3**063556****Drawings:** JPG
(view) N.A.
DXF N.A. **PDF** (40 KB)**Gender:**
Female**Pins:** 37**Catalog:** PDF N.A.**Termination:**

Solder

Terminal Length:

6 mm

Assembly Height:

6.3 mm

Request: Information**Class:** 2

PART NUMBER 013701**Accessory Terminal Side:** Rivet nut #4-40**013701****Drawings:** JPG
(view) N.A.
DXF N.A. **PDF** (69 KB)**Gender:**
Female**Catalog:** PDF N.A.**Pins:** 37**Request:** Information**Termination:**
Solder
Terminal Length:
6 mm**Assembly Height:**
6.3 mm**Class:** 2**PART NUMBER 024738****Accessory Terminal Side:** Retaining Clip
Accessory Mating Side: Threaded sleeve #4-40**024738****Drawings:** JPG
(view) N.A.
DXF N.A. **PDF** (40 KB)**Gender:**
Female**Catalog:** PDF N.A.**Pins:** 37**Request:** Information**Termination:**
Solder
Terminal Length:
6 mm**Assembly Height:**
6.3 mm**Class:** 2**PART NUMBER 013700****Accessory Terminal Side:** Threaded bolt M3
Accessory Mating Side: Sleeve**013700****Drawings:** JPG
(view) N.A.
DXF N.A. **PDF** (69 KB)**Gender:**
Female**Catalog:** PDF N.A.**Pins:** 37**Request:** Information**Termination:**
Solder
Terminal Length:
6 mm**Assembly Height:**
6.3 mm**Class:** 2

PART NUMBER 013699**Accessory Terminal Side:** Threaded bolt #4-40
Accessory Mating Side: Sleeve**Drawings:** JPG
(view) N.A.
DXF N.A. **PDF** (69 KB)**Catalog:** PDF N.A.**Request:** Information**013699****Gender:**
Female**Pins:** 37**Termination:**
Solder
Terminal Length:
6 mm**Assembly Height:**
6.3 mm**Class:** 2**PART NUMBER 013034****Accessory Terminal Side:** Threaded bolt M3 / #4-40
Accessory Mating Side: Sleeve**Drawings:** JPG
(view) N.A.
DXF N.A. **PDF** (69 KB)**Catalog:** PDF N.A.**Request:** Information**013034****Gender:**
Female**Pins:** 37**Termination:**
Solder
Terminal Length:
6 mm**Assembly Height:**
6.3 mm**Class:** 2**PART NUMBER 013897****Accessory Terminal Side:** Rivet nut M3**Drawings:** JPG
(view) N.A.
DXF N.A. **PDF** (69 KB)**Catalog:** PDF N.A.**Request:** Information**013897****Gender:**
Female**Pins:** 50**Termination:**
Solder
Terminal Length:
6 mm**Assembly Height:**
6.3 mm**Class:** 2

PART NUMBER 053055

Accessory Terminal Side: Retaining Clip
Accessory Mating Side: Threaded sleeve M3

053055

Drawings: JPG
(view) N.A.
DXF N.A. **PDF** (40 KB)

Gender:
Female

Catalog: PDF N.A.

Pins: 50

Request: Information

Termination:
Solder
Terminal Length:
6 mm

Assembly Height:
6.3 mm

Class: 2

PART NUMBER 013898

Accessory Terminal Side: Rivet nut #4-40

013898

Drawings: JPG
(view) N.A.
DXF N.A. **PDF** (69 KB)

Gender:
Female

Catalog: PDF N.A.

Pins: 50

Request: Information

Termination:
Solder
Terminal Length:
6 mm

Assembly Height:
6.3 mm

Class: 2

PART NUMBER 043799

Accessory Terminal Side: Retaining Clip
Accessory Mating Side: Threaded sleeve #4-40

043799

Drawings: JPG
(view) N.A.
DXF N.A. **PDF** (40 KB)

Gender:
Female

Catalog: PDF N.A.

Pins: 50

Request: Information

Termination:
Solder
Terminal Length:
6 mm

Assembly Height:
6.3 mm

Class: 2

PART NUMBER 013892**Accessory Terminal Side:** Threaded bolt M3
Accessory Mating Side: Sleeve**013892****Drawings:** JPG
(view) N.A.
DXF N.A. **PDF** (69 KB)**Gender:**
Female**Catalog:** PDF N.A.**Pins:** 50**Request: Information****Termination:**
Solder
Terminal Length:
6 mm**Assembly Height:**
6.3 mm**Class:** 2**PART NUMBER 013893****Accessory Terminal Side:** Threaded bolt #4-40
Accessory Mating Side: Sleeve**013893****Drawings:** JPG
(view) N.A.
DXF N.A. **PDF** (69 KB)**Gender:**
Female**Catalog:** PDF N.A.**Pins:** 50**Request: Information****Termination:**
Solder
Terminal Length:
6 mm**Assembly Height:**
6.3 mm**Class:** 2**PART NUMBER 003641****Accessory Terminal Side:** Threaded bolt M3 / #4-40
Accessory Mating Side: Sleeve**003641****Drawings:** JPG
(view) N.A.
DXF N.A. **PDF** (69 KB)**Gender:**
Female**Catalog:** PDF N.A.**Pins:** 50**Request: Information****Termination:**
Solder
Terminal Length:
6 mm**Assembly Height:**
6.3 mm**Class:** 2